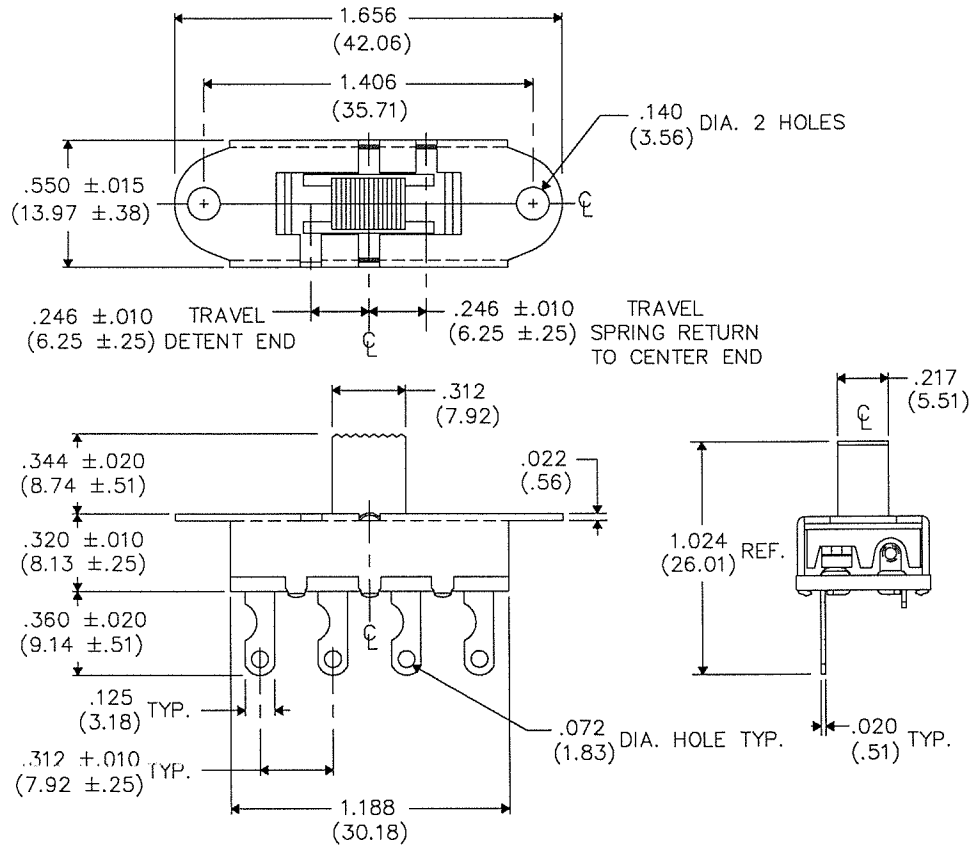


DIMENSIONS IN INCHES (MILLIMETERS)
DO NOT SCALE DRAWING

Dwg. No.
G-633S-0000



1 2 3 4 5 6 7 8 9 10

FORM-B4	REVISIONS 0 RELEASED: DCW 7-27-94 RBK Aug. 2, 1994							CW INDUSTRIES Southampton, Pa. 18966		Title: SWITCH ASSEMBLY SPRING RETURN S.P.- 3 POS.	
								TOLERANCES UNLESS OTHERWISE SPECIFIED 2 Place Decimal ±.010 METRIC 3 Place Decimal ±.005 1 Place Dec. ±.25mm Angles ±1° 2 Place Dec. ±.13mm		Division: SWITCH	
								Made for: CW IND.		Dwg. No. G-633S-0000	
								Drawn by: DGW 7-27-94 Checked by: GG 8-1-94 Approval: RBK 8-2-94			